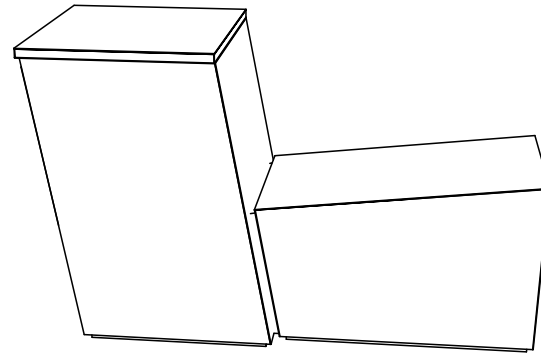
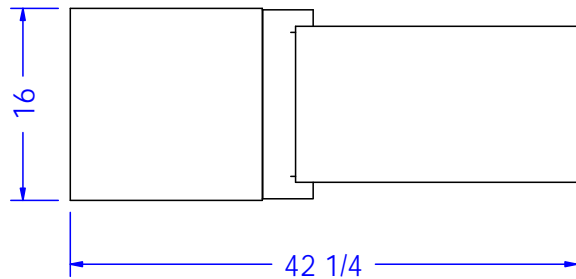
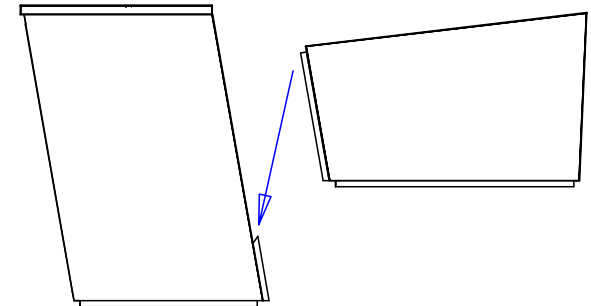
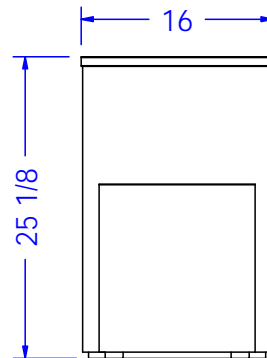
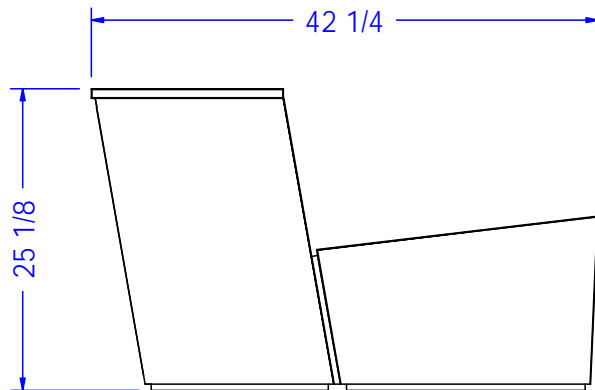


Includes Chair & Tilting Shampoo Bowl Not Shown




Seat box will lift off for quick temporary storage with no tools needed allowing easy access for clients in wheelchairs.



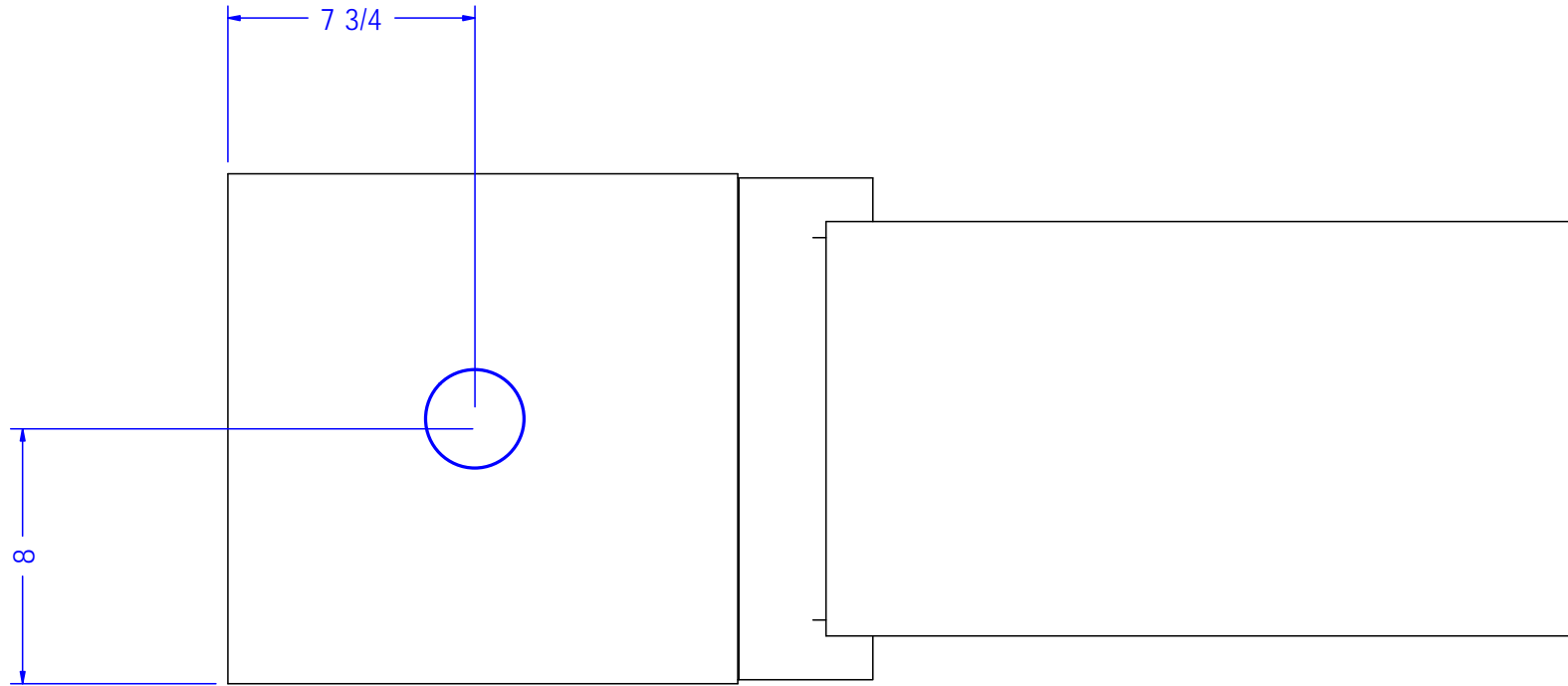
Finish Schedule - T8-16-1

Face Color - Black
 Top Color - Black
 Toe Color - Black
 Reveal / Accent Color - Wallaby Black Vinyl
 Hardware - N/A
 Interior - Black
 Other (Specify) - Black Pibbs Tilting Bowl

This drawing is the property of Collins Manufacturing Company and is protected under copyright law.

		Collins Manufacturing 2000 Bowser Road Cookeville, TN 38506
Title: T8-16 ADA Friendly		
Size: NTS	Drawing Number: 73547	Drawn By: Zane
Date:	Sheet	

PLUMBING CENTERS



DRAIN CENTER


Quantity - 1

Finish Schedule - T8-16-1

Face Color - Black
 Top Color - Black
 Toe Color - Black
 Reveal / Accent Color - Wallaby Black Vinyl
 Hardware - N/A
 Interior - Black
 Other (Specify) - Black Pibbs Tilting Bowl

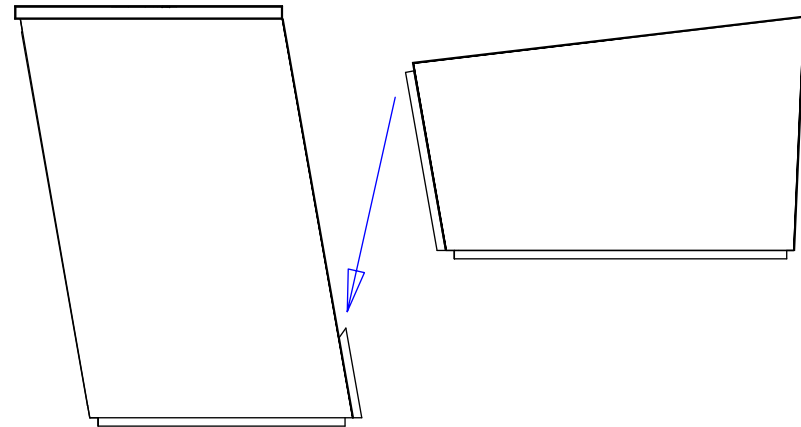
General Notes:

1. All counter tops are to be made removable wherever possible.
2. Items must be broken into manageable sections For Shipping. Mark For Ease Of Reassembly.
3. Install Shipping Cleats Wherever Possible To Prevent Shipping Damage.
4. Purchased items Must Be Trial Fit Before Shipping.

 Collins Manufacturing 2000 Bowser Road Cookeville, TN 38506		Title:	
		Size: NTS	Drawing Number: 73547
Date:		Sheet	

Assembly:

- 1) Seat should already come attached to the seat cabinet and require no additional assembly.
- 2) Use plumbing information on previous page to run supply and drain lines to unit.
- 3) After plumbing is in place the bowl cabinet MUST BE ANCHORED TO FLOOR with appropriate fasteners for your floor type.
- 4) To attach seat cabinet to bowl cabinet you will have to engage the black french cleat. To do so, lower the seat cabinet onto the french cleat portion mounted on the bowl cabinet until fully locked in place.
- 5) For temporary removal of seat cabinet to accomodate clients in wheelchairs, simply lift the seat cabinet vertically off the french cleat and store.




Quantity - 1

Finish Schedule - T8-16-1

Face Color - Black
Top Color - Black
Toe Color - Black
Reveal / Accent Color - Wallaby Black Vinyl
Hardware - N/A
Interior - Black
Other (Specify) - Black Pibbs Tilting Bowl

General Notes:

1. All counter tops are to be made removable wherever possible.
2. Items must be broken into manageable sections For Shipping. Mark For Ease Of Reassembly.
3. Install Shipping Cleats Wherever Possible To Prevent Shipping Damage.
4. Purchased items Must Be Trial Fit Before Shipping.

			Collins Manufacturing 2000 Bowser Road Cookeville, TN 38506
Title:			
Size: NTS	Drawing Number: 73547	Drawn By: Zane	
Date:			Sheet